

02 48V2A

E-Bike/Cargo Charger

MODEL:C120

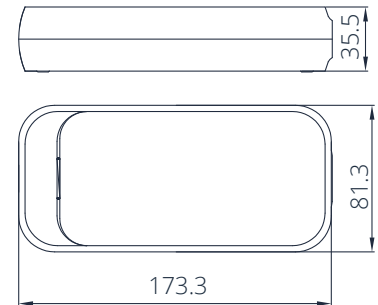


UL62368-1, TUV EN62368-1, EN55032 /EN55035 FCC PART 15B, J62368-1(2020), J55032(H29):J3000(H25), EN60335-2-29.

FEATURE

- ▶ Charger for Li-Ion batteries(lithium iron, lithium manganese and Li-NiCoMn)
- ▶ **AC input range:** 90VAC~264VAC 50/60HZ, 2.5A
- ▶ **Efficiency:** >89% @230VAC 100% Load
- ▶ **Protections:** Short circuit/Over voltage/Over power/reverse polarity/No spark
- ▶ **Operating temperature:** -20~40°C(-4°F~104°F)
- ▶ Fanless design, cooling by free convection
- ▶ Fully enclosed plastic case ▶ **Weight:** 0.5kg

SIZE



Model list

Model	Rated output voltage(VDC)	Rated output current(A)	Max.output power(W)
C120-VxxxAyy	12.0-16.8	1.0-5.0	84.0
	24.0-29.4	1.0-4.0	117.6
	36.0-43.8	1.0-3.0	131.4
	48.0-54.6	1.0-2.0	109.2
	60.0-84.0	1.0-1.5	126.0

Note:

"xxx"=252-294 or 420-438 or 480-546 or 600-840 stands for rated output voltage 25.2-29.4VDC or 42.0-43.8 VDC or 48.0-54.6VDC or 60.0-84.0VDC with step of 0.1V;

"yy"=10-50 stands for rated output current 1.0-5.0A with step of 0.1A.